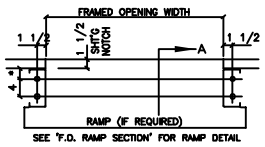
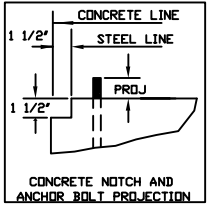
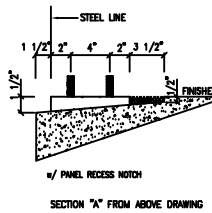
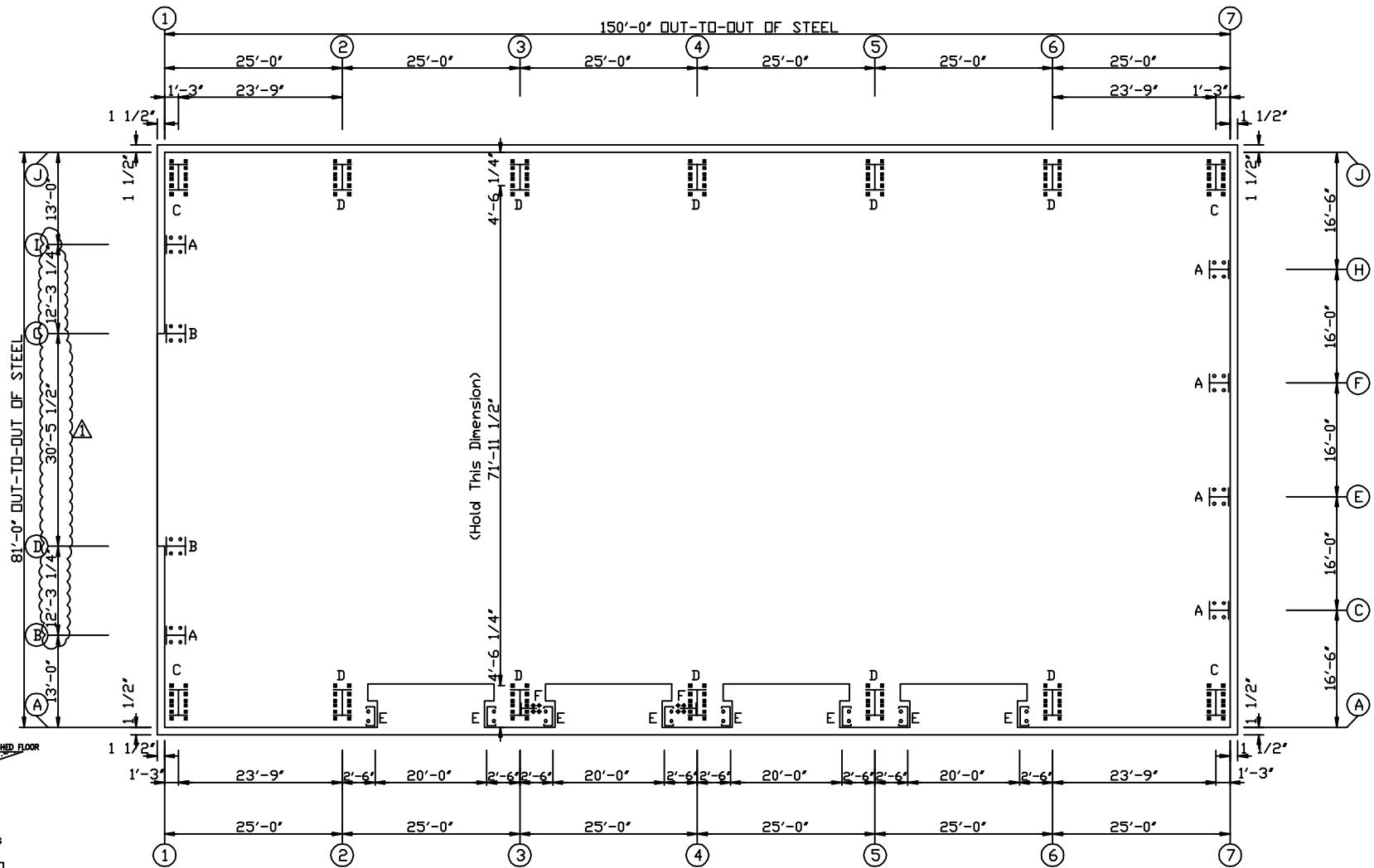


- Dia = 3/4"
- Dia = 1"
- ◆ Dia = 1 1/4"



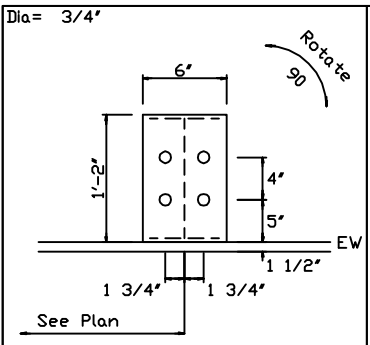
ANCHOR BOLT PLAN
 NOTE: All Base Plates @ 100'-0" (U.N.)



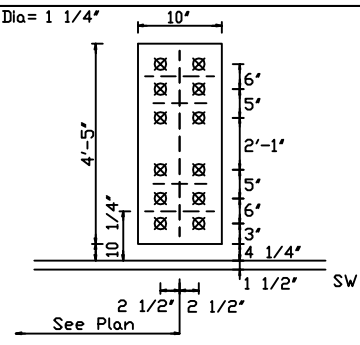
• Metal Buildings
 • Mini-Warehouses

1-888-442-4140
 Ofc 210-888-1183
 Fax 210-888-1184
 19315 FM 2252
 San Antonio, TX 78266

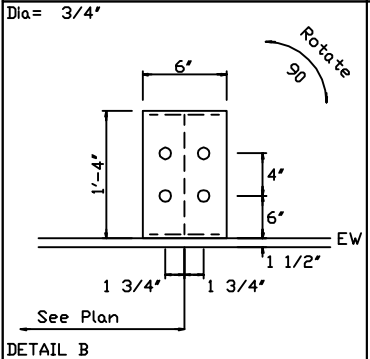
DESCRIPTION		ANCHOR BOLT PLAN	
SIZE		81'-0" x 150'-0" x 47'-0"	
CUSTOMER		SHADES OF IDAHO	PROJECT: 3 SEAS, LLC
LOCATION		BURLEY, ID 83318	
DRN BY	CHK'D BY	DATE	SCALE
		6/28/12	NONE
QUOTE NO.	JOB NO.	SHEET NO.	ISSUE
	12BL0648	F1	1



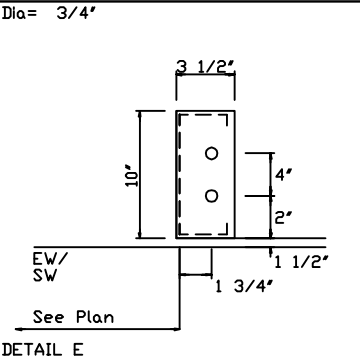
DETAIL A



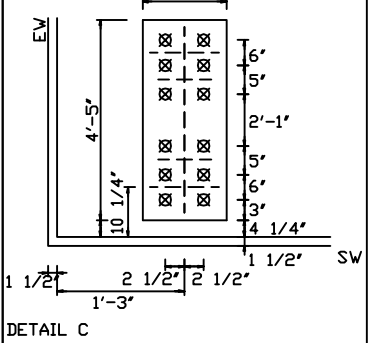
DETAIL D



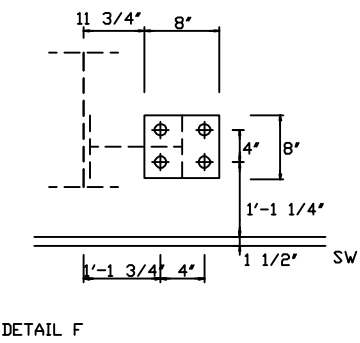
DETAIL B



DETAIL E



DETAIL C



DETAIL F

GENERAL NOTES



• Metal Buildings
 • Mini-Warehouses
 19315 FM 2252
 San Antonio, TX 78266

DESCRIPTION		ANCHOR BOLT DETAILS	
SIZE		81'-0" x 150'-0" x 47'-0"	
CUSTOMER		SHADES OF IDAHO	PROJECT: 3 SEAS, LLC
LOCATION		BURLEY, ID 83318	
DRN BY	CHK'D BY	DATE	SCALE
		6/28/12	NONE
QUOTE NO.	JOB NO.	SHEET NO.	ISSUE
	12BL0648	F2	□

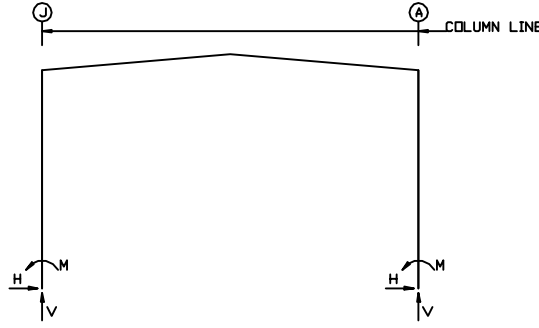
NOTES FOR REACTIONS

Building reactions are based on the following building data:

- Width (ft) = 81.0
- Length (ft) = 150.0
- Eave Height (ft) = 47.0/ 47.0
- Roof Slope (rise/12) = 1.0/ 1.0
- Dead Load (psf) = 2.0
- Collateral Load (psf) = 0.0
- Live Load (psf) = 20.0
- Snow Load (psf) = 21.0
- Wind Speed (mph) = 90.0
- Wind Code = IBC 06
- Exposure = B
- Closed/Open = C
- Importance Wind = 1.00
- Importance Seismic = 1.00
- Seismic Design Category = C
- Seismic Coeff (Fa/Ss) = 0.49

ID	Description
1	0.60DL+W12
2	0.60DL+WR2
3	0.60DL+LnWnd1+LWIND1_L2E
4	0.60DL+LnWnd1+LWIND1_R2E
5	0.60DL+LnWnd1+LWIND1_L2E
6	0.60DL+LnWnd1+LWIND1_R2E
7	1.05DL+1.05CL-0.70SeisL
8	DL+CL+0.75SL+F1CRANE2
9	DL+CL+0.75SL+F1CRANE4
10	DL+CL+0.75SL+F1CRANE4
11	DL+CL+0.75SL+F2CRANE2
12	DL+CL+0.75SL+F2CRANE3
13	DL+CL+0.75SL+F2CRANE4
14	0.60DL+WR1+W1
15	0.60DL+WP+LnWnd2
16	DL+CL+LL
17	DL+CL+SL
18	DL
19	DL+CL+0.75LL+0.75WL1
20	DL+CL+0.75LL+0.75WR1
21	DL+CL+0.75LL+0.75WL2
22	DL+CL+0.75LL+0.75WR2
23	DL+CL+0.75LL+0.75WL1
24	DL+CL+0.75LL+0.75WR1
25	DL+CL+0.75LL+0.75WL2
26	DL+CL+0.75LL+0.75WR2
27	0.60DL+W11
28	0.60DL+WR1
29	0.60DL+LnWnd2+LWIND2_L2E
30	0.60DL+LnWnd2+LWIND2_R2E
31	0.60DL+LnWnd2+LWIND2_L2E
32	0.60DL+LnWnd2+LWIND2_R2E
33	1.05DL+1.05CL+0.70SeisL
34	1.03DL+1.03CL+0.75LL+0.52SeisL
35	1.03DL+1.03CL+0.75LL-0.52SeisL
36	1.03DL+1.03CL+0.52SeisL
37	1.03DL+1.03CL-0.52SeisL
38	0.55DL+0.70SeisL
39	0.55DL-0.70SeisL
40	DL+CL+F1CRANE1
41	DL+CL+F1CRANE2
42	DL+CL+F1CRANE3
43	DL+CL+F1CRANE4
44	DL+CL+0.75SL+F1CRANE1
45	DL+W11/2+F1CRANE1
46	DL+W12/2+F1CRANE1
47	DL+WR1/2+F1CRANE2
48	DL+WR2/2+F1CRANE2
49	DL+W11/2+F1CRANE3
50	DL+W12/2+F1CRANE3
51	DL+WR1/2+F1CRANE4
52	DL+WR2/2+F1CRANE4
53	DL+CL+F1UNB_SL_L
54	DL+CL+F1UNB_SL_R
55	DL+CL+F2CRANE1
56	DL+CL+F2CRANE2
57	DL+CL+F2CRANE3
58	DL+CL+F2CRANE4
59	DL+CL+0.75SL+F2CRANE1
60	DL+W11/2+F2CRANE1
61	DL+W12/2+F2CRANE1
62	DL+WR1/2+F2CRANE2
63	DL+WR2/2+F2CRANE2
64	DL+W11/2+F2CRANE3
65	DL+W12/2+F2CRANE3
66	DL+WR1/2+F2CRANE4
67	DL+WR2/2+F2CRANE4
68	DL+CL+F2UNB_SL_L
69	DL+CL+F2UNB_SL_R

FRAME LINES: 1 2 3 4 5 6 7



RIGID FRAME: MAXIMUM REACTIONS, ANCHOR BOLTS, & BASE PLATES

Frm Line	Col Line	Column Reactions (k)				Anc. Bolt Qty Dia	Base Plate (in)			Grout (in)		
		Load ID	Hmax H	V Vmax	Load ID		Hmin H	Vmin	Width		Length	Thick
1	J		Moment connection, see table.				8	1.000	10.00	41.00	0.500	0.0
1	A		Moment connection, see table.				8	1.000	10.00	41.00	0.500	0.0

RIGID FRAME: MAXIMUM REACTIONS, ANCHOR BOLTS, & BASE PLATES

Frm Line	Col Line	Column Reactions (k)				Anc. Bolt Qty Dia	Base Plate (in)			Grout (in)		
		Load ID	Hmax H	V Vmax	Load ID		Hmin H	Vmin	Width		Length	Thick
2*	J		Moment connection, see table.				8	1.000	10.00	41.00	0.500	0.0
2*	A		Moment connection, see table.				8	1.000	10.00	41.00	0.500	0.0
2*			Frame lines 2 3 4 5 6 7									

ENDWALL COLUMNS REACTIONS (k)

MAXIMUM VERTICAL DL+CL+SL = 1.3
 MAXIMUM VERTICAL DL+W1 = 0.0
 MAXIMUM HORIZONTAL DL+W1 = 6.9

BUILDING BRACING REACTIONS

Loc	Line	Col Line	± Reactions (k)			Panel Shear (lb/ft)
			Wind	± Seismic		
L_EW	1	Rigid Frame At Endwall				
F_SW	A	Wind Bent In Wall				
R_EW	7	Rigid Frame At Endwall				
B_SW	J	4,3	11.4	20.5	2.3	4.1

CRANE BRACING REACTIONS

Loc	Line	Col Line	± Reactions (k)	
			Wind	± Seismic
F_SW	A	3, 4	7.4	11.0
B_SW	J	4, 3	7.4	11.0

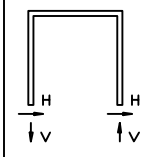
ANCHOR BOLT SUMMARY

Qty	Locate	Dia (in)	Type	Proj (in)
0 16	Jamb	3/4"	A307	2.50
0 32	Endwall	3/4"	A307	2.50
8 112	Frame	1"	A307	3.00

GENERAL NOTES

- FOUNDATION DESIGN AND CONSTRUCTION ARE NOT THE RESPONSIBILITY OF IBS.
- THE BUILDING REACTION DATA REPORTS THE LOADS WHICH THIS BUILDING PLACES ON THE FOUNDATION.
- ANCHOR BOLTS SHALL BE ACCURATELY SET TO A TOLLERANCE OF +/- 1/8" IN BOTH ELEVATION AND LOCATION. ANCHOR BOLTS ARE TO BE TYPE A36.
- COLUMN BASE PLATES ARE DESIGNED NOT TO EXCEED A BEARING PRESSURE OF 1125 POUNDS PER SQUARE INCH.
- ALL WALLS BRACED BY DIAPHRAM ACTION CANNOT HAVE ADDITIONAL OPENINGS OTHER THAN THE ONES ALREADY LOCATED AND SHOWN ON THE DRAWINGS WITHOUT FIRST CONSULTING IBS.

WIND BENT REACTIONS



Loc	Line	Col Line	Wind (k)	± Reactions Seismic (k)		
			Horz	Vert	Horz	Vert
F_SW	A	3	5.7	8.4	1.4	2.0
F_SW	A	4	5.7	8.4	1.4	2.0



• Metal Buildings • Mini-Warehouses
 19315 FM 2252 San Antonio, TX 78266
 1-888-442-4140
 Ofc 210-888-1183 Fax 210-888-1184

DESCRIPTION		ANCHOR BOLT REACTIONS	
SIZE	81'-0" x 150'-0" x 47'-0"		
CUSTOMER	SHADES OF IDAHO	PROJECT	3 SEAS, LLC
LOCATION	BURLEY, ID 83318	CAD BY	
DRN BY	CK'D BY	DATE	SCALE
		6/28/12	NONE
QUOTE NO.	JOB NO.	SHEET NO.	ISSUE
	12BL0648	F-3	0

RIGID FRAME REACTIONS FOR FRAME LINE 1


Load Id	Left Horiz	Column(k) Vert	,f-k > Mom	Right Horiz	Column(k) Vert	,f-k > Mom
1	-10.6	-3.2	177.11	-2.1	0.5	62.58
2	2.1	0.5	-63.16	10.6	-3.2	-177.54
3	1.6	-10.8	27.44	-1.4	-8.9	-41.02
4	1.4	-9.9	29.24	-1.6	-10.7	-29.28
5	1.6	-10.8	27.44	-1.4	-8.8	-41.02
6	1.4	-8.9	39.24	-1.6	-10.7	-29.28
7	3.1	6.7	-88.86	0.1	6.0	-27.77
8	14.8	84.5	-304.22	-6.9	38.7	103.11
9	6.9	38.8	-99.57	-14.8	84.3	307.58
10	14.9	39.9	-356.25	-6.9	83.2	51.24
16	11.1	26.4	-217.94	-11.1	26.2	222.26
17	11.6	27.4	-227.40	-11.6	27.2	231.91
18	1.5	6.0	-28.72	-1.5	6.0	29.36
19	1.5	12.3	-22.19	-11.0	15.0	204.38
20	11.0	15.1	-202.39	-1.5	12.3	24.29
21	0.1	16.2	-24.88	-9.6	18.8	207.76
22	9.6	18.9	-205.08	-0.1	16.1	27.67
23	11.4	15.9	-209.48	-1.9	13.0	31.52
24	11.4	15.9	-209.48	-1.9	13.0	31.52
25	0.5	16.9	-31.98	-9.9	19.6	215.00
26	9.9	19.7	-212.18	-0.5	16.8	34.91
27	-8.7	-8.3	180.70	-4.0	-4.6	58.07
28	4.0	-4.6	-59.57	8.7	-8.3	-182.05
29	0.2	-5.7	18.51	0.0	-3.7	-31.17
30	0.0	-3.7	30.31	-0.2	-5.6	-19.43
31	0.2	-5.7	18.51	0.0	-3.7	-31.17
32	0.0	-3.7	30.31	-0.2	-5.6	-19.43
33	-0.1	6.0	28.55	-3.1	6.7	89.43
34	7.5	21.2	-127.89	-9.9	21.6	218.45
35	9.9	21.7	-215.10	-7.5	21.1	131.39
36	0.3	6.0	14.03	-2.7	6.4	73.77
37	2.7	6.5	-73.19	-0.3	5.9	-13.29
38	-0.8	3.0	42.91	-2.4	3.6	74.75
39	2.4	3.7	-74.50	0.8	3.0	-42.45
40	-0.7	67.3	101.47	-7.2	23.9	207.53
41	7.3	68.5	-155.21	0.7	22.8	-48.80
42	-0.7	22.8	49.44	-7.3	68.4	155.66
43	7.3	23.9	-207.24	0.6	67.3	-100.67
44	6.9	83.3	-47.54	-14.8	39.8	359.45
45	-5.4	61.4	200.43	-8.8	19.8	227.76
46	-6.4	63.9	198.64	-7.8	22.3	230.02
47	8.8	64.3	-176.38	5.4	16.8	-148.63
48	7.9	66.9	-178.18	6.4	19.4	-146.38
49	-5.4	16.8	148.40	-8.8	64.3	175.89
50	-6.4	19.4	146.61	-7.8	66.9	178.15
51	8.8	19.8	-228.41	5.4	61.4	-200.50
52	7.9	22.3	-230.21	6.4	63.9	-198.25
53	10.0	28.5	-161.69	-10.1	17.0	239.67
54	10.1	17.1	-235.73	-10.1	28.3	166.17

RIGID FRAME REACTIONS FOR FRAME LINE 2*

Load Id	Left Horiz	Column(k) Vert	,f-k > Mom	Right Horiz	Column(k) Vert	,f-k > Mom
1	-10.6	-3.2	177.11	-2.1	0.5	62.58
2	2.1	0.5	-63.16	10.6	-3.2	-177.54
3	1.6	-10.8	27.44	-1.4	-8.9	-41.02
4	1.4	-9.9	29.24	-1.6	-10.7	-29.28
5	1.6	-10.8	27.44	-1.4	-8.8	-41.02
6	1.4	-8.9	39.24	-1.6	-10.7	-29.28
7	3.1	6.7	-88.86	0.1	6.0	-27.77
11	15.1	87.8	-308.15	-7.0	41.2	102.81
12	7.0	41.3	-99.28	-15.1	87.7	311.50
13	15.1	42.5	-361.14	-7.0	86.6	49.99
16	11.1	26.4	-217.94	-11.1	26.2	222.26
17	11.6	27.4	-227.40	-11.6	27.2	231.91
18	1.5	6.0	-28.72	-1.5	6.0	29.36
19	1.5	12.3	-22.19	-11.0	15.0	204.38
20	11.0	15.1	-202.39	-1.5	12.3	24.29
21	0.1	16.2	-24.88	-9.6	18.8	207.76
22	9.6	18.9	-205.08	-0.1	16.1	27.67
23	11.4	15.9	-209.48	-1.9	13.0	31.52
24	11.4	15.9	-209.48	-1.9	13.0	31.52
25	0.5	16.9	-31.98	-9.9	19.6	215.00
26	9.9	19.7	-212.18	-0.5	16.8	34.91
27	-8.7	-8.3	180.70	-4.0	-4.6	58.07
28	4.0	-4.6	-59.57	8.7	-8.3	-182.05
29	0.2	-5.7	18.51	0.0	-3.7	-31.17
30	0.0	-3.7	30.31	-0.2	-5.6	-19.43
31	0.2	-5.7	18.51	0.0	-3.7	-31.17
32	0.0	-3.7	30.31	-0.2	-5.6	-19.43
33	-0.1	6.0	28.55	-3.1	6.7	89.43
34	7.5	21.2	-127.89	-9.9	21.6	218.45
35	9.9	21.7	-215.10	-7.5	21.1	131.39
36	0.3	6.0	14.03	-2.7	6.4	73.77
37	2.7	6.5	-73.19	-0.3	5.9	-13.29
38	-0.8	3.0	42.91	-2.4	3.6	74.75
39	2.4	3.7	-74.50	0.8	3.0	-42.45
55	-0.6	70.7	102.72	-7.5	26.4	212.41
56	7.5	71.9	-159.14	0.6	25.3	-49.10
57	-0.6	25.3	49.74	-7.5	71.8	159.58
58	7.5	26.5	-212.13	0.6	70.7	-101.93
59	7.0	86.7	-46.29	-15.0	42.4	364.32
60	-5.4	64.7	201.69	-9.0	22.4	232.64
61	-6.3	67.3	199.89	-8.1	24.9	234.89
62	9.0	67.7	-180.31	5.4	19.4	-148.93
63	8.1	70.3	-182.11	6.3	21.9	-146.68
64	-5.4	19.4	148.70	-9.0	67.7	179.81
65	-6.3	21.9	146.90	-8.1	70.3	182.07
66	9.0	22.4	-233.30	5.4	64.7	-201.76
67	8.1	24.9	-235.09	6.3	67.3	-199.50
68	10.0	28.5	-161.69	-10.1	17.0	239.67
69	10.1	17.1	-235.73	-10.1	28.3	166.17

2* Frame lines: 3 4 5 6 7

REV	DATE

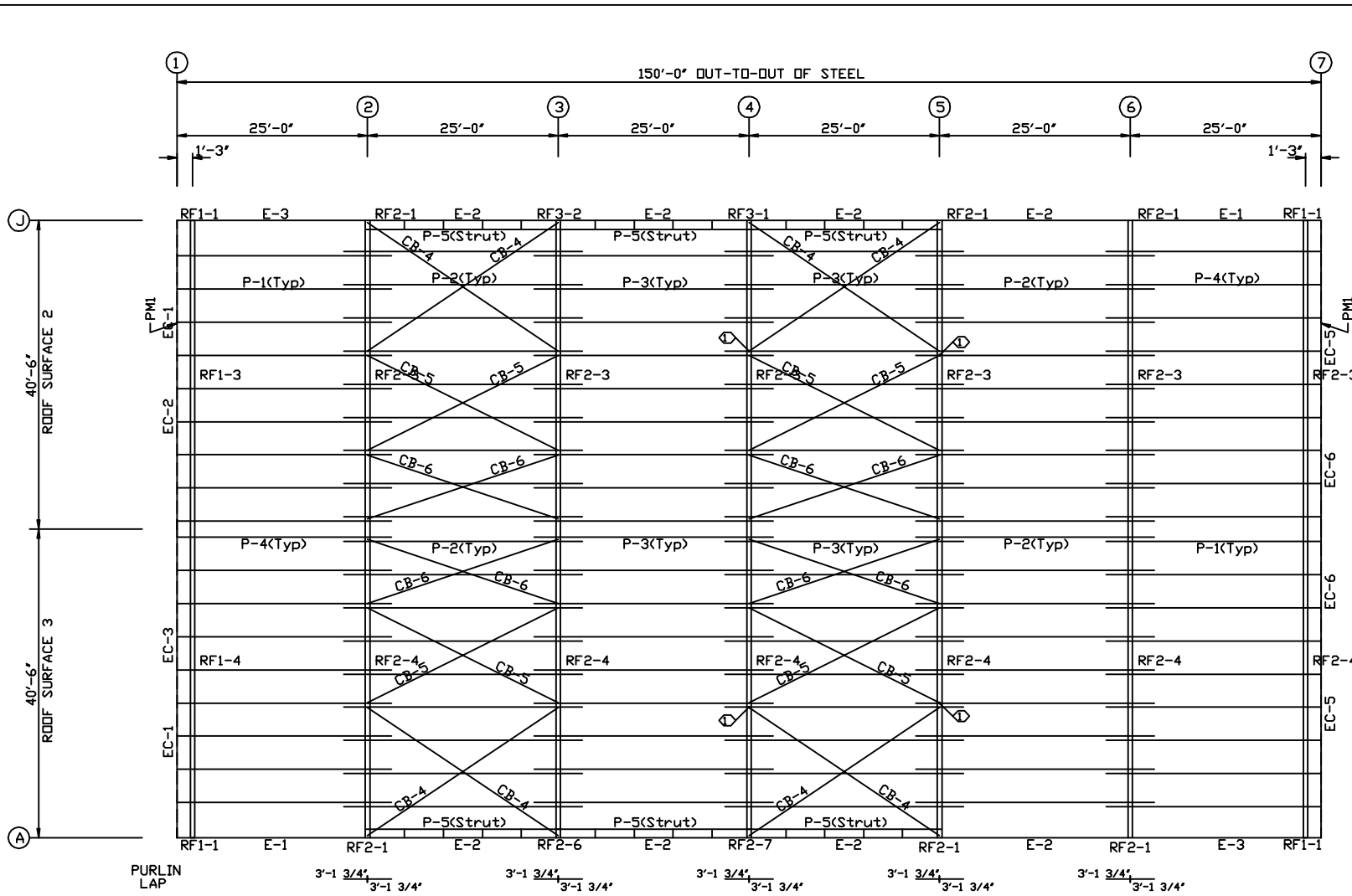


19315 FM 2252
San Antonio, TX 78266

1-888-442-4140
 Ofc 210-888-1183
 Fax 210-888-1184

DESCRIPTION ANCHOR BOLT REACTIONS
 SIZE 81'-0" x 150'-0" x 47'-0"
 CUSTOMER SHADES OF IDAHO PROJECT 3 SEAS, LLC
 LOCATION BURLEY, ID 83318

DRN BY	CK'D BY	DATE	SCALE	QUOTE NO.	JOB NO.	SHEET NO.	ISSUE
		6/28/12	NONE		12BL0648	F 4	<input type="checkbox"/>



SPECIAL BOLTS
ROOF PLAN

Ø ID	QUAN	TYPE	DIA	LENGTH	WASH
1	4	A307	1/2"	1'	0

MEMBER TABLE
ROOF PLAN

MARK	PART
P-1	8X25Z14
P-2	8X25Z14
P-3	8X25Z16
P-4	8X25Z14
P-5	8X25Z16
E-1	8.3E14
E-2	8.3E14
E-3	8.3E14
CB-4	3/8" CBL
CB-5	1/4" CBL
CB-6	1/4" CBL

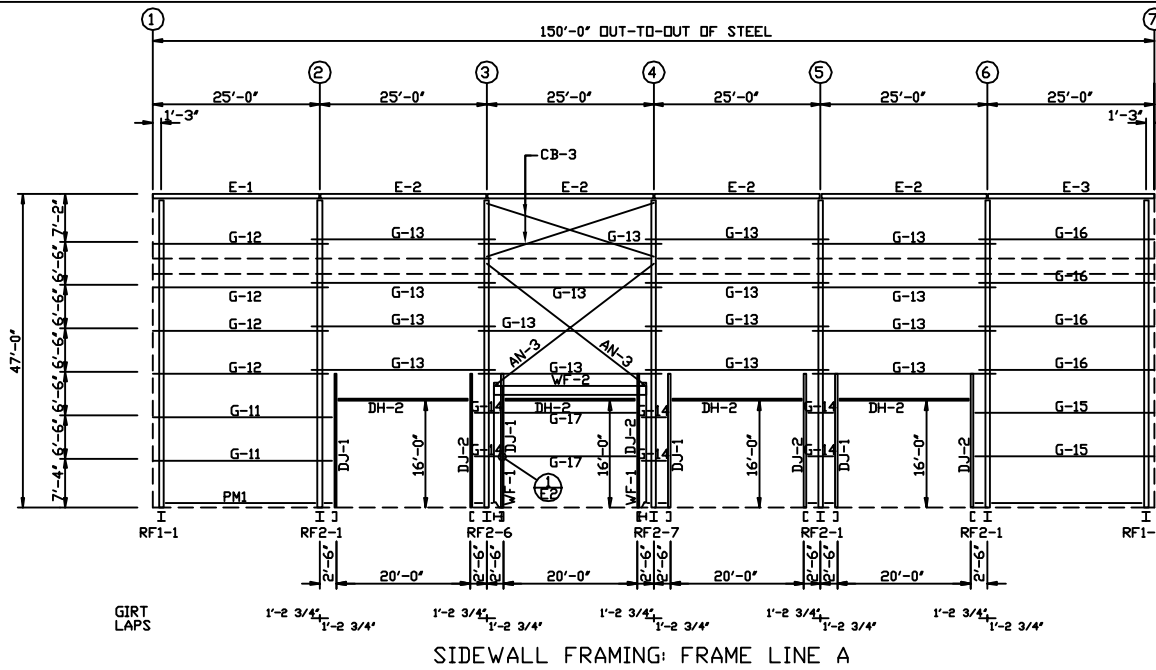
ROOF FRAMING PLAN



• Metal Buildings
• Mini-Warehouses

1-888-442-4140
Ofc 210-888-1183
Fax 210-888-1184
19315 FM 2252
San Antonio, TX 78266

DESCRIPTION		ROOF FRAMING	
SIZE		81'-0" x 150'-0" x 47'-0"	
CUSTOMER		SHADES OF IDAHO	PROJECT: 3 SEAS, LLC
LOCATION		BURLEY, ID 83318	
DRN BY	CK'D BY	DATE	SCALE
		6/28/12	NONE
QUOTE NO.	JOB NO.	SHEET NO.	ISSUE
	12BL0648	E1	0



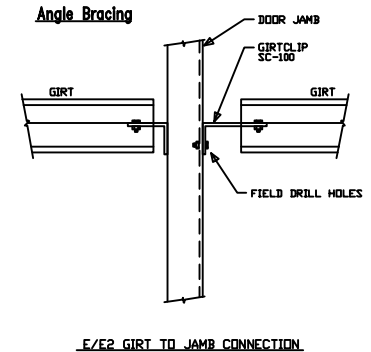
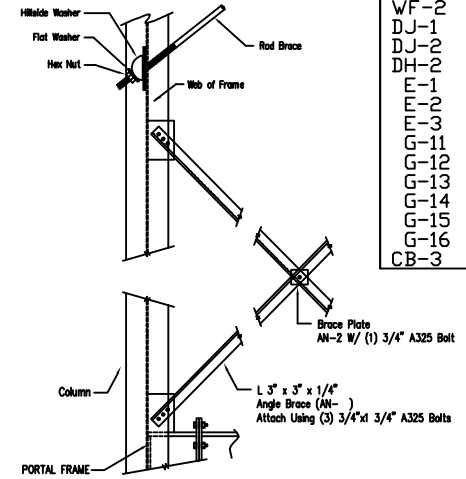
SIDEWALL FRAMING: FRAME LINE A

Panel	Height	Material
1	27'-0 1/2"	20'-3 1/2"
2	27'-0 1/2"	20'-3 1/2"
3	27'-0 1/2"	20'-3 1/2"
4	27'-0 1/2"	20'-3 1/2"
5	27'-0 1/2"	20'-3 1/2"
6	27'-0 1/2"	20'-3 1/2"
7	27'-0 1/2"	20'-3 1/2"
8	27'-0 1/2"	20'-3 1/2"
9	27'-0 1/2"	20'-3 1/2"
10	27'-0 1/2"	20'-3 1/2"
11	27'-0 1/2"	20'-3 1/2"
12	27'-0 1/2"	20'-3 1/2"
13	27'-0 1/2"	20'-3 1/2"
14	27'-0 1/2"	20'-3 1/2"
15	27'-0 1/2"	20'-3 1/2"
16	27'-0 1/2"	20'-3 1/2"
17	27'-0 1/2"	20'-3 1/2"
18	27'-0 1/2"	20'-3 1/2"
19	27'-0 1/2"	20'-3 1/2"
20	27'-0 1/2"	20'-3 1/2"
21	27'-0 1/2"	20'-3 1/2"
22	27'-0 1/2"	20'-3 1/2"
23	27'-0 1/2"	20'-3 1/2"
24	27'-0 1/2"	20'-3 1/2"
25	27'-0 1/2"	20'-3 1/2"
26	27'-0 1/2"	20'-3 1/2"
27	27'-0 1/2"	20'-3 1/2"
28	27'-0 1/2"	20'-3 1/2"
29	27'-0 1/2"	20'-3 1/2"
30	27'-0 1/2"	20'-3 1/2"
31	27'-0 1/2"	20'-3 1/2"
32	27'-0 1/2"	20'-3 1/2"
33	27'-0 1/2"	20'-3 1/2"
34	27'-0 1/2"	20'-3 1/2"
35	27'-0 1/2"	20'-3 1/2"
36	27'-0 1/2"	20'-3 1/2"
37	27'-0 1/2"	20'-3 1/2"
38	27'-0 1/2"	20'-3 1/2"
39	27'-0 1/2"	20'-3 1/2"
40	27'-0 1/2"	20'-3 1/2"
41	27'-0 1/2"	20'-3 1/2"
42	27'-0 1/2"	20'-3 1/2"
43	27'-0 1/2"	20'-3 1/2"
44	27'-0 1/2"	20'-3 1/2"
45	27'-0 1/2"	20'-3 1/2"
46	27'-0 1/2"	20'-3 1/2"
47	27'-0 1/2"	20'-3 1/2"
48	27'-0 1/2"	20'-3 1/2"
49	27'-0 1/2"	20'-3 1/2"
50	27'-0 1/2"	20'-3 1/2"
51	27'-0 1/2"	20'-3 1/2"
52	27'-0 1/2"	20'-3 1/2"
53	27'-0 1/2"	20'-3 1/2"
54	27'-0 1/2"	20'-3 1/2"
55	27'-0 1/2"	20'-3 1/2"
56	27'-0 1/2"	20'-3 1/2"
57	27'-0 1/2"	20'-3 1/2"
58	27'-0 1/2"	20'-3 1/2"
59	27'-0 1/2"	20'-3 1/2"
60	27'-0 1/2"	20'-3 1/2"
61	27'-0 1/2"	20'-3 1/2"
62	27'-0 1/2"	20'-3 1/2"
63	27'-0 1/2"	20'-3 1/2"
64	27'-0 1/2"	20'-3 1/2"
65	27'-0 1/2"	20'-3 1/2"
66	27'-0 1/2"	20'-3 1/2"
67	27'-0 1/2"	20'-3 1/2"
68	27'-0 1/2"	20'-3 1/2"
69	27'-0 1/2"	20'-3 1/2"
70	27'-0 1/2"	20'-3 1/2"
71	27'-0 1/2"	20'-3 1/2"
72	27'-0 1/2"	20'-3 1/2"
73	27'-0 1/2"	20'-3 1/2"
74	27'-0 1/2"	20'-3 1/2"
75	27'-0 1/2"	20'-3 1/2"
76	27'-0 1/2"	20'-3 1/2"
77	27'-0 1/2"	20'-3 1/2"
78	27'-0 1/2"	20'-3 1/2"
79	27'-0 1/2"	20'-3 1/2"
80	27'-0 1/2"	20'-3 1/2"
81	27'-0 1/2"	20'-3 1/2"
82	27'-0 1/2"	20'-3 1/2"
83	27'-0 1/2"	20'-3 1/2"
84	27'-0 1/2"	20'-3 1/2"
85	27'-0 1/2"	20'-3 1/2"
86	27'-0 1/2"	20'-3 1/2"
87	27'-0 1/2"	20'-3 1/2"
88	27'-0 1/2"	20'-3 1/2"
89	27'-0 1/2"	20'-3 1/2"
90	27'-0 1/2"	20'-3 1/2"
91	27'-0 1/2"	20'-3 1/2"
92	27'-0 1/2"	20'-3 1/2"
93	27'-0 1/2"	20'-3 1/2"
94	27'-0 1/2"	20'-3 1/2"
95	27'-0 1/2"	20'-3 1/2"
96	27'-0 1/2"	20'-3 1/2"
97	27'-0 1/2"	20'-3 1/2"
98	27'-0 1/2"	20'-3 1/2"
99	27'-0 1/2"	20'-3 1/2"
100	27'-0 1/2"	20'-3 1/2"

SIDEWALL SHEETING & TRIM: FRAME LINE A
PANELS: 26 Ga. PR - LIGHT STONE

BOLT TABLE				
FRAME LINE A				
LOCATION	QUAN	TYPE	DIA	LENGTH
WF-1 - WF-2	12	A325	3/4"	2 1/4"
WF-1 - RF2-6	8	A325	5/8"	1 1/2"

MEMBER TABLE	
FRAME LINE A	
MARK	PART
WF-1	W15853
WF-2	W15853
DJ-1	10X35C14
DJ-2	10X35C14
DH-2	10X35C14
E-1	8.3E14
E-2	8.3E14
E-3	8.3E14
G-11	10X35Z12
G-12	10X35Z14
G-13	10X35Z14
G-14	10X25Z14
G-15	10X35Z12
G-16	10X35Z14
CB-3	1" ROD



E/E2 GIRT TO JAMB CONNECTION

GENERAL NOTES:

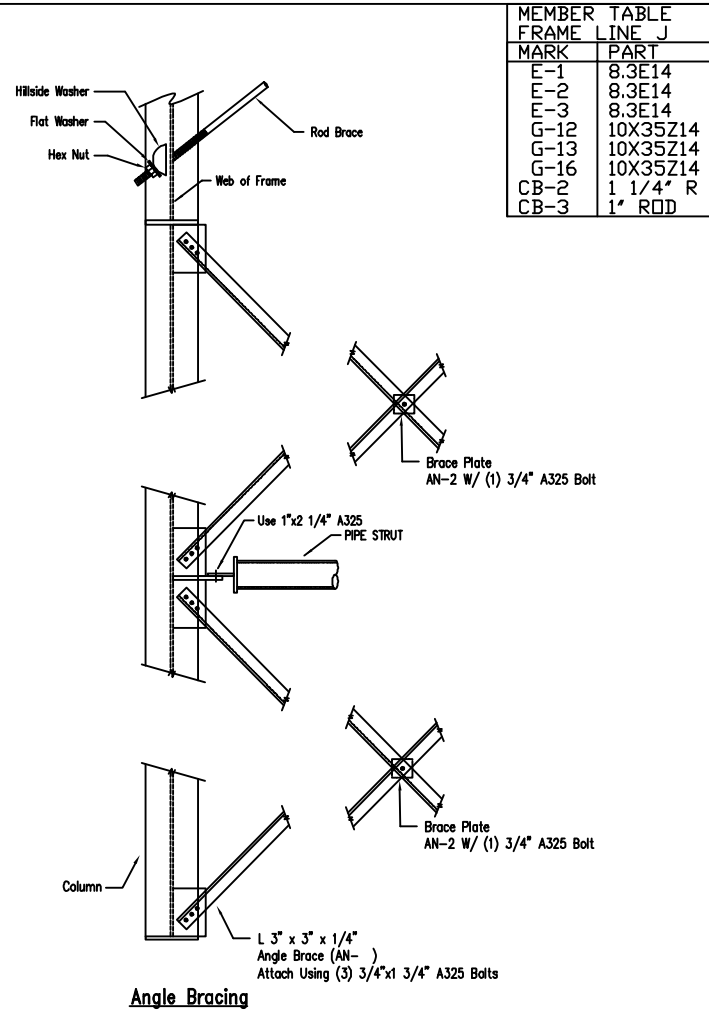
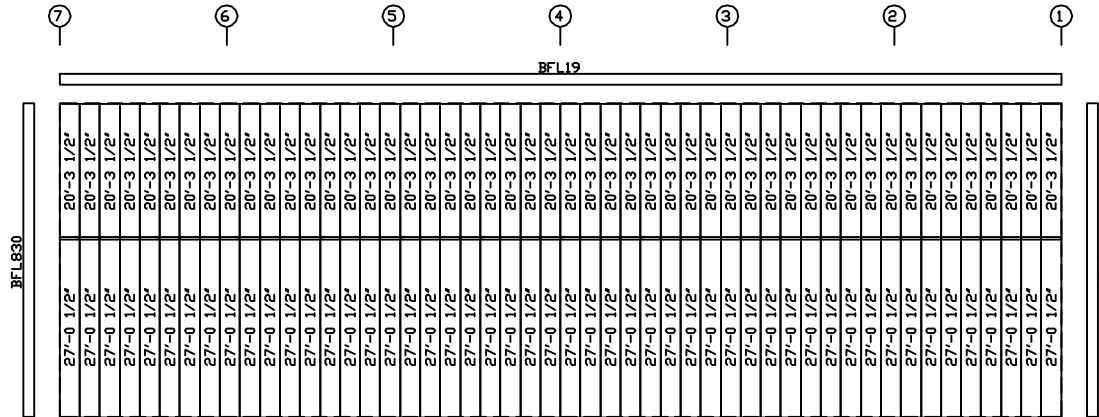
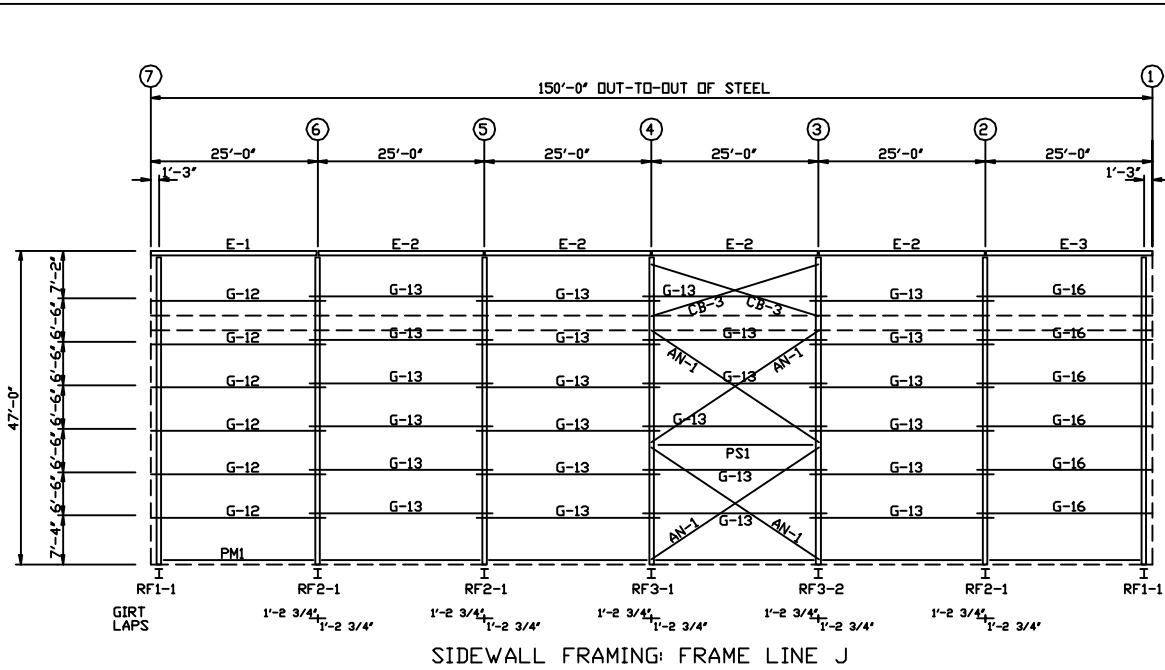
A FABRICATED MEMBER MAY CONTAIN A PIECE MARK PRECEDED BY A NUMBER. THIS NUMBER IS FOR SHOP USE ONLY & WILL NOT BE REFLECTED ON YOUR ERECTION DRAWING. I.E. 5RF1-3 WILL BE SHOWN ON YOUR DRAWINGS AS RF1-3.



• Metal Buildings
• Mini-Warehouses


1-888-442-4140
Ofc 210-888-1183
Fax 210-888-1184
19315 FM 2252
San Antonio, TX 78266

DESCRIPTION: SIDEWALL FRAMING									
SIZE: 81'-0" x 150'-0" x 47'-0"									
CUSTOMER: SHADES OF IDAHO					PROJECT: 3 SEAS, LLC				
LOCATION: BURLEY, ID 83318									
DRN BY	CK'D BY	DATE	SCALE	QUOTE NO.	JOB NO.	SHEET NO.	ISSUE	CAD BY:	
		6/28/12	NONE		12BL0648	E2	0		



MEMBER TABLE FRAME LINE J	
MARK	PART
E-1	8.3E14
E-2	8.3E14
E-3	8.3E14
G-12	10X35Z14
G-13	10X35Z14
G-16	10X35Z14
CB-2	1 1/4" R
CB-3	1" ROD

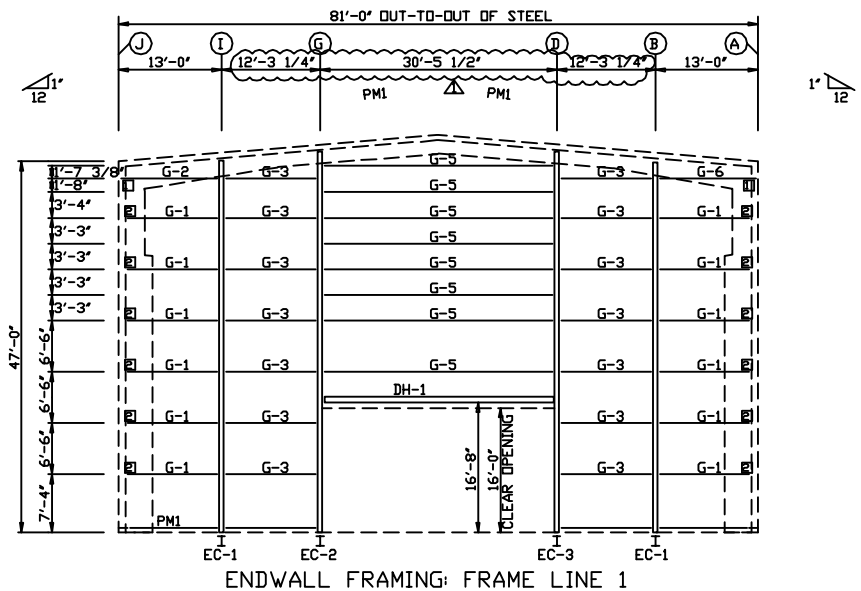
GENERAL NOTES:
 A FABRICATED MEMBER MAY CONTAIN A PIECE MARK PROCEEDED BY A NUMBER. THIS NUMBER IS FOR SHOP USE ONLY & WILL NOT BE REFLECTED ON YOUR ERECTION DRAWING. I.E. 5RF1-3 WILL BE SHOWN ON YOUR DRAWINGS AS RF1-3.



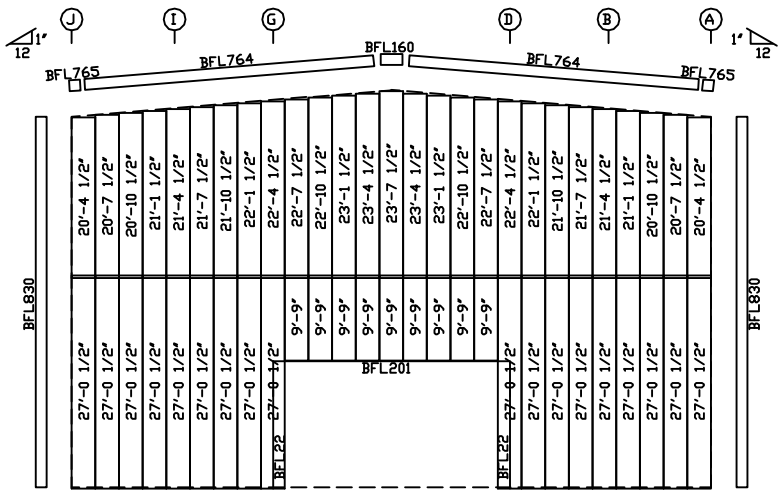
IMPACT
 • Metal Buildings
 • Mini-Warehouses

1-888-442-4140
 Ofc 210-888-1183
 Fax 210-888-1184
 19315 FM 2252
 San Antonio, TX 78266

DESCRIPTION: SIDEWALL FRAMING		DATE: 6/28/12	SCALE: NONE	QUOTE NO.	JOB NO. 12BL0648	SHEET NO. E-3	ISSUE 0
SIZE: 81'-0" x 150'-0" x 47'-0"	CUSTOMER: SHADES OF IDAHO	PROJECT: 3 SEAS, LLC		LOCATOR: BURLEY, ID 83318	CAD BY:		



ENDWALL FRAMING: FRAME LINE 1

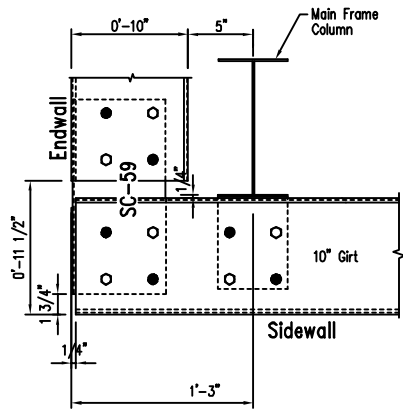


ENDWALL SHEETING & TRIM: FRAME LINE 1
PANELS: 26 Ga. PR - LIGHT STONE

BOLT TABLE				
FRAME LINE 1				
LOCATION	QUAN	TYPE	DIA	LENGTH
Columns/Raf	2	A325	5/8"	1 1/4"

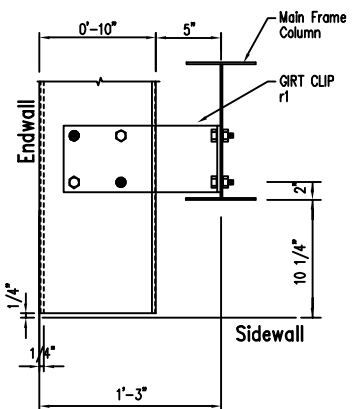
CONNECTION PLATES	
FRAME LINE 1	
QID	MARK/PART
1	r1
2	SC-59

MEMBER TABLE	
FRAME LINE 1	
MARK	PART
EC-1	W14X22
EC-2	W16X26
EC-3	W16X26
DH-1	T8X6X1/4
G-1	10X25Z14
G-2	10X25Z14
G-3	10X25Z14
G-5	10X35Z12
G-6	10X25Z14




○ = 1/2" x 1" A307 Bolt
● = Open Hole

Corner Detail at Main Frame Endwall
10" By-pass Sidewall / 10" by-pass Endwall



Corner Detail at Main Frame Endwall
10" By-pass Sidewall / 10" by-pass Endwall

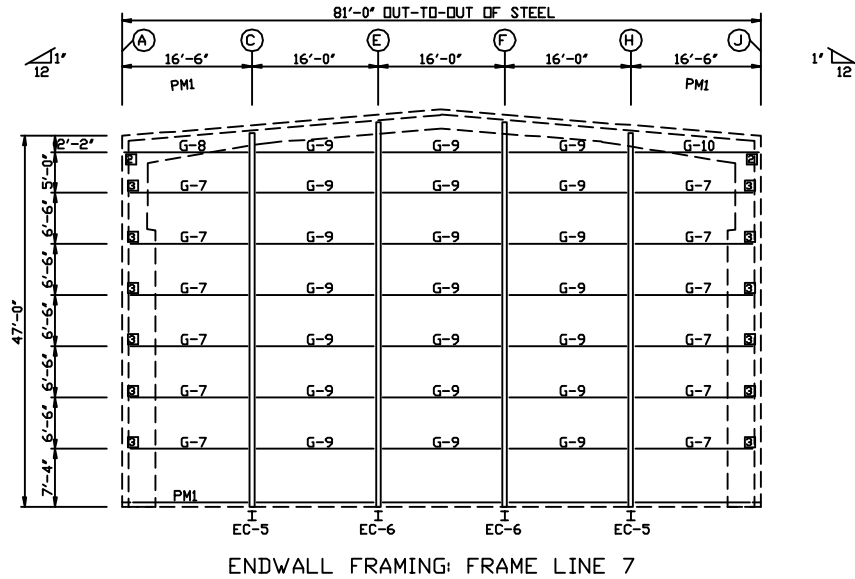
GENERAL NOTES:
A FABRICATED MEMBER MAY CONTAIN A PIECE MARK PROCEEDED BY A NUMBER. THIS NUMBER IS FOR SHOP USE ONLY & WILL NOT BE REFLECTED ON YOUR ERECTION DRAWING. I.E. 5RF1-3 WILL BE SHOWN ON YOUR DRAWINGS AS RF1-3.



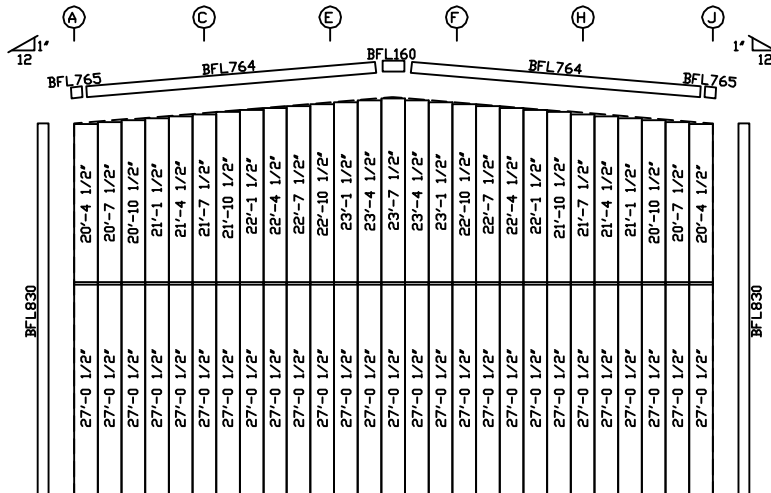
• Metal Buildings
• Mini-Warehouses

1-888-442-4140
Ofc 210-888-1183
Fax 210-888-1184
19315 FM 2252
San Antonio, TX 78266

DESCRIPTION: ENDWALL FRAMING									
SIZE: 81'-0" x 150'-0" x 47'-0"									
CUSTOMER: SHADES OF IDAHO					PROJECT: 3 SEAS, LLC				
LOCATION: BURLEY, ID 83318									
DRN BY	CK'D BY	DATE	SCALE	QUOTE NO.	JOB NO.	SHEET NO.	ISSUE		
		6/28/12	NONE		12BL0648	E-4	0		



ENDWALL FRAMING: FRAME LINE 7



ENDWALL SHEETING & TRIM: FRAME LINE 7

PANELS: 26 Ga. PR - LIGHT STONE

BOLT TABLE			
FRAME LINE 7			
LOCATION	QUAN	TYPE	DIA LENGTH
Columns/Raf	4	A325	5/8" 1 1/4"

CONNECTION PLATES	
FRAME LINE 7	
OID	MARK/PART

2	r1
3	SC-59

MEMBER TABLE	
FRAME LINE 7	
MARK	PART

EC-5	W14X22
EC-6	W14X22
G-7	10X35Z14
G-8	10X35Z14
G-9	10X35Z14
G-10	10X35Z14

GENERAL NOTES:
 A FABRICATED MEMBER MAY CONTAIN A PIECE MARK PROCEEDED BY A NUMBER, THIS NUMBER IS FOR SHOP USE ONLY & WILL NOT BE REFLECTED ON YOUR ERECTION DRAWING. I.E. SRF1-3 WILL BE SHOWN ON YOUR DRAWINGS AS RF1-3.

• Metal Buildings Ofc 210-888-1183
 • Mini-Warehouses Fax 210-888-1184
 19315 FM 2252
 San Antonio, TX 78266

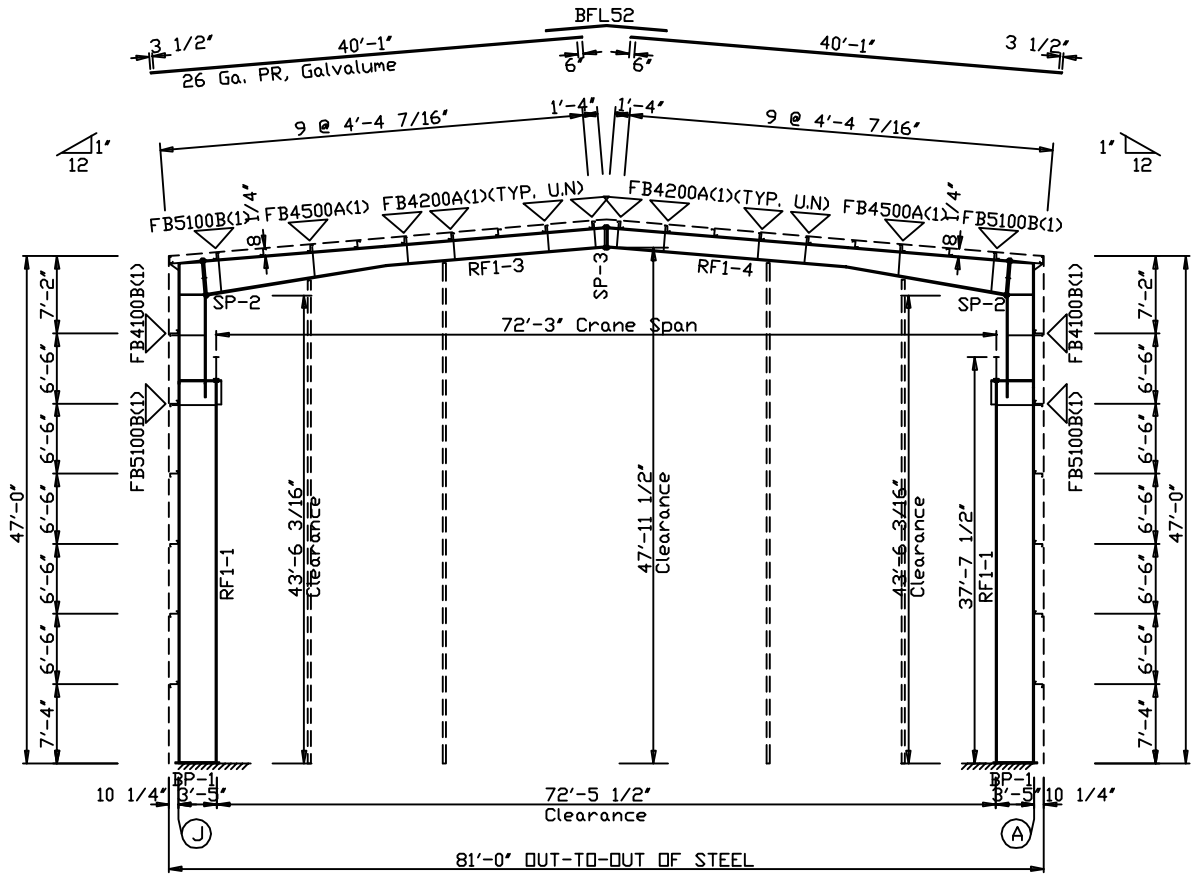
DESCRIPTION		ENDWALL FRAMING	
SIZE		81'-0" x 150'-0" x 47'-0"	
CUSTOMER		SHADES OF IDAHO	PROJECT: 3 SEAS, LLC
LOCATION		BURLEY, ID 83318	
DRN BY	CK'D BY	DATE	SCALE
		6/28/12	NONE
QUOTE NO.	JOB NO.	SHEET NO.	ISSUE
	12BL0648	E5	0

SPLICE PLATE & BOLT TABLE									
Mark	Qty		Int	Type	Dia	Length	Width Thick Length		
	Top	Bot					Width	Thick	Length
SP-1	4	4	2	A325	0.875	2.50	10'	1/2"	3'-2 3/4"
SP-2	4	4	2	A325	0.875	2.50	10'	1/2"	3'-8 3/8"
SP-3	4	4	0	A325	0.750	2.00	6"	3/8"	2'-4 3/8"

BASE PLATE TABLE			
Col Mark	Plate Size		
	Width	Thick	Length
BP-1	10'	1"	3'-5"

FLANGE BRACES: Both Sides(U.N.)
 B - L2X2X1/8
 A - L2X2X1/4

MEMBER TABLE							
Mark	Web Depth		Web Plate		Outside Flange		Inside Flange
	Start	End	Thick	Length	W x Thk x Length	W x Thk x Length	
RF1-1	40.0	40.0	0.250	240.0	10 x 3/8" x 240.0	10 x 5/8" x 240.0	
	40.0	40.0	0.250	179.5	10 x 3/8" x 180.5	10 x 5/8" x 179.5	
	40.0	32.0	0.250	1.0		10 x 5/8" x 3.1	
	28.0	28.0	0.188	96.2	10 x 3/8" x 134.2	10 x 1/2" x 96.2	
RF1-3	28.0	24.7	0.313	40.1	10 x 3/8" x 25.1	6 x 1/4" x 204.9	
	36.0	20.0	0.250	204.3	6 x 1/4" x 240.0	6 x 1/4" x 220.9	
	20.0	20.0	0.188	222.6	6 x 1/4" x 210.9	6 x 1/4" x 24.0	
	20.0	20.0	0.188	24.0		6 x 1/4" x 27.2	
RF1-4	20.0	20.0	0.188	28.9	6 x 1/4" x 210.9	6 x 1/4" x 240.0	
	20.0	20.0	0.188	240.0	6 x 1/4" x 240.0	6 x 5/16" x 182.7	
	20.0	36.0	0.250	182.0			



RIGID FRAME ELEVATION: FRAME LINE 1

GENERAL NOTES:
 1. All field connections of primary framing members shall be bolted with A325 H.S. bolts and installed by the 'turn of the nut' method.
 2. All field connections of secondary framing shall be bolted with A307 machine bolts.
 3. Welding process used by manufacturer are in accordance with Sec. 1.3 of AWS D 1.1.



• Metal Buildings Ofc 210-888-1183
 • Mini-Warehouses Fax 210-888-1184
 19315 FM 2252
 San Antonio, TX 78266

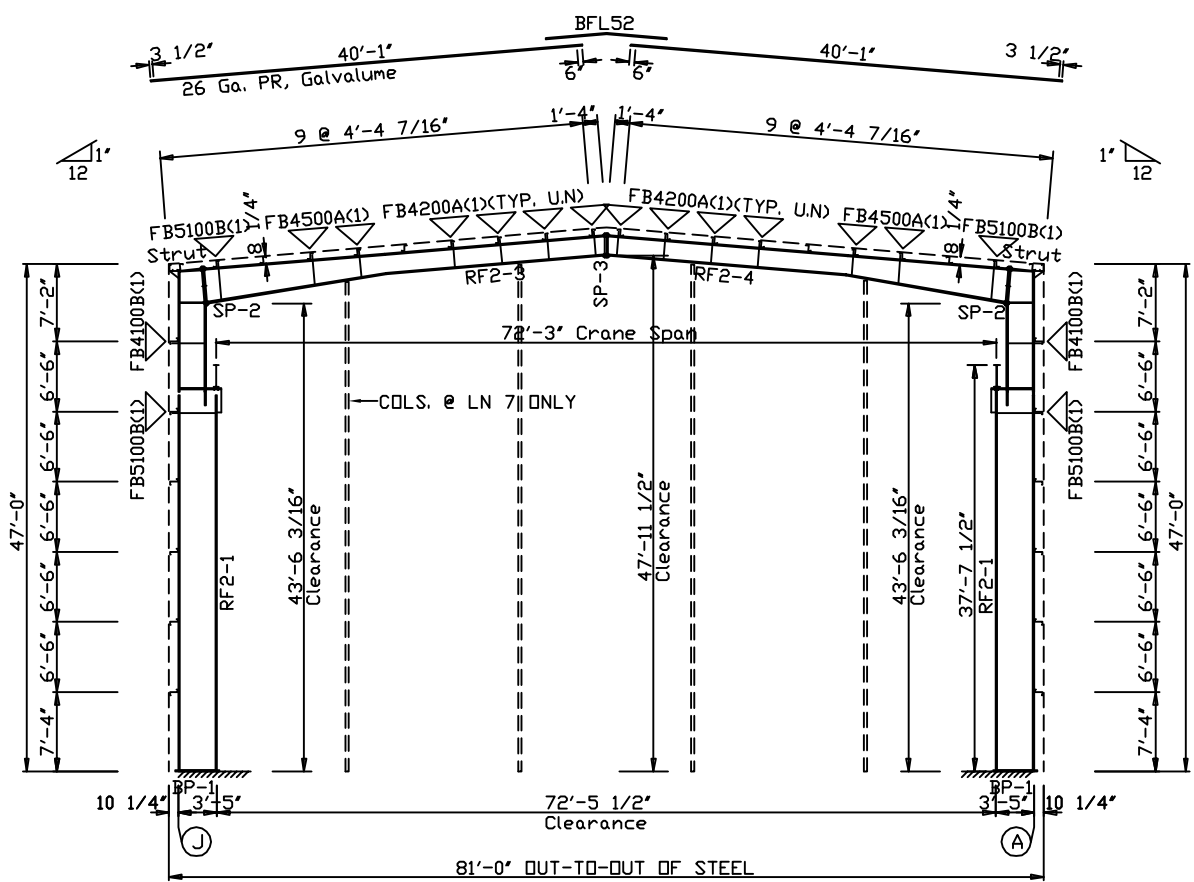
DESCRIPTION: RIGID FRAME ELEVATION	
SIZE: 81'-0" x 150'-0" x 47'-0"	
CUSTOMER: SHADES OF IDAHO	PROJECT: 3 SEAS, LLC
LOCATION: BURLEY, ID 83318	
DATE: 6/28/12	SCALE: NONE
QUOTE NO.	JOB NO. 12BL0648
SHEET NO. E6	ISSUE

SPLICE PLATE & BOLT TABLE										
Mark	Qty	Top	Bot	Int	Type	Dia	Length	Width	Thick	Length
SP-2	4	4	2		A325	0.875	2.50	10'	1/2"	3'-8 3/8"
SP-3	4	4	0		A325	0.750	2.00	6"	3/8"	2'-4 3/8"

BASE PLATE TABLE			
Col	Plate Size	Width	Length
BP-1	10' x 1"	3'-5"	

MEMBER TABLE							
Mark	Web Depth		Web Plate Thick	Length	Outside Flange		Inside Flange
	Start	End			W x Thk x Length	W x Thk x Length	
RF2-1	40.0	40.0	0.250	240.0	10 x 3/8" x 240.0	10 x 5/8" x 240.0	
	40.0	40.0	0.250	179.5	10 x 3/8" x 180.4	10 x 5/8" x 179.5	
	40.0	33.0	0.250	0.9		10 x 5/8" x 21	
RF2-3	36.0	20.0	0.250	204.3	6 x 1/4" x 240.0	6 x 1/4" x 240.9	
	20.0	20.0	0.188	222.6	6 x 1/4" x 210.9	6 x 1/4" x 220.9	
	20.0	20.0	0.188	24.0		6 x 1/4" x 24.0	
RF2-4	20.0	20.0	0.188	28.9	6 x 1/4" x 210.9	6 x 1/4" x 27.2	
	20.0	20.0	0.188	240.0	6 x 1/4" x 240.0	6 x 1/4" x 240.0	
	20.0	36.0	0.250	182.0		6 x 5/16" x 182.7	

✓ FLANGE BRACES: Both Sides(U.N.)
 B - L2X2X1/8
 A - L2X2X1/4



RIGID FRAME ELEVATION: FRAME LINE 2 3 4 5 6 7

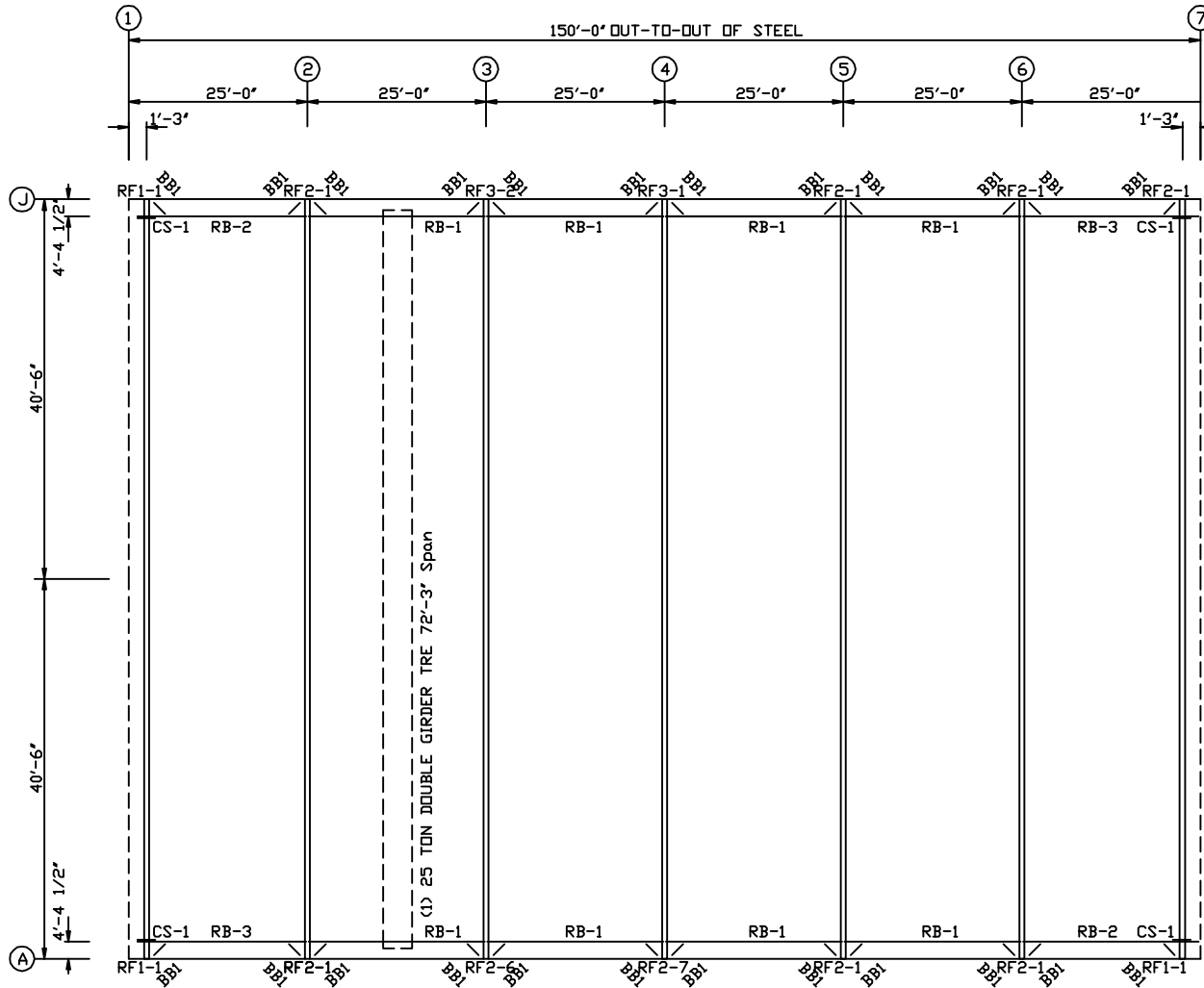
GENERAL NOTES:

- All field connections of primary framing members shall be bolted with A325 H.S. bolts and installed by the 'turn of the nut' method.
- All field connections of secondary framing shall be bolted with A307 machine bolts.
- Welding process used by manufacturer are in accordance with Sec. 1.3 of AWS D 1.1.



• Metal Buildings
 • Mini-Warehouses
 19315 FM 2252
 San Antonio, TX 78266

DESCRIPTION: RIGID FRAME ELEVATION		JOB NO. 12BL0648	
SIZE: 81'-0" x 150'-0" x 47'-0"		SHEET NO. E-7	
CUSTOMER: SHADES OF IDAHO		ISSUE: A	
LOCATION: BURLEY, ID 83318		DATE: 6/28/12	
SCALE: NONE	QUOTE NO.	JOB NO. 12BL0648	ISSUE: A



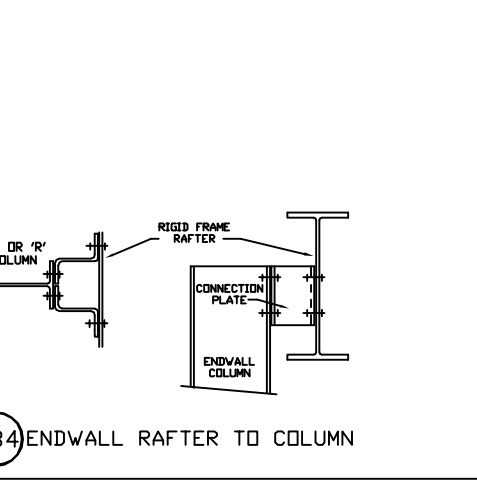
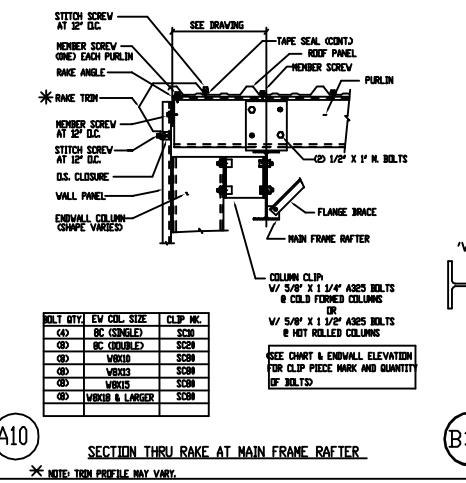
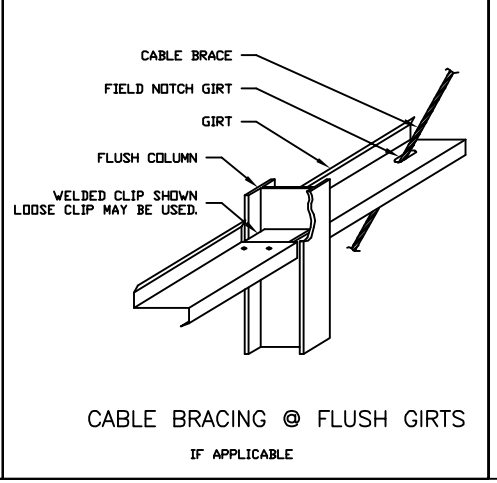
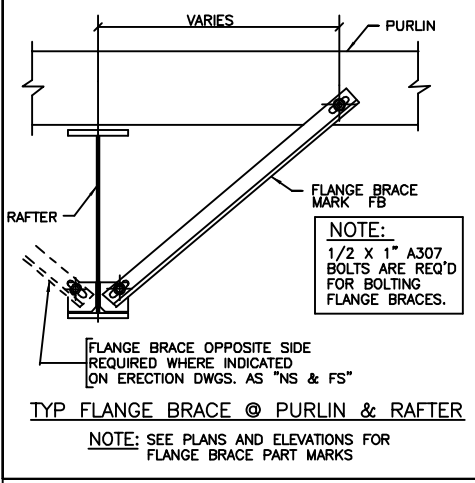
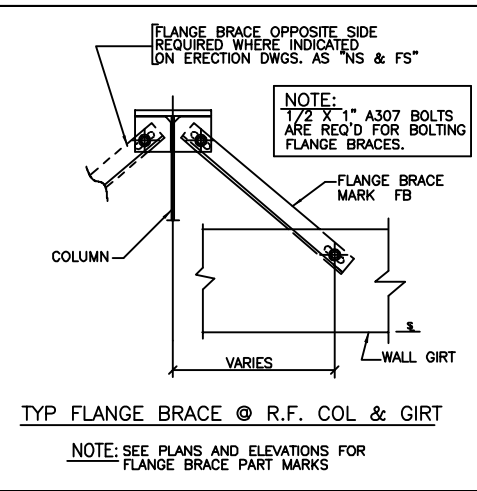
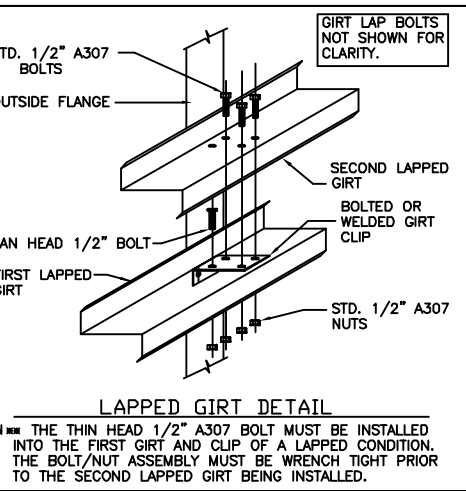
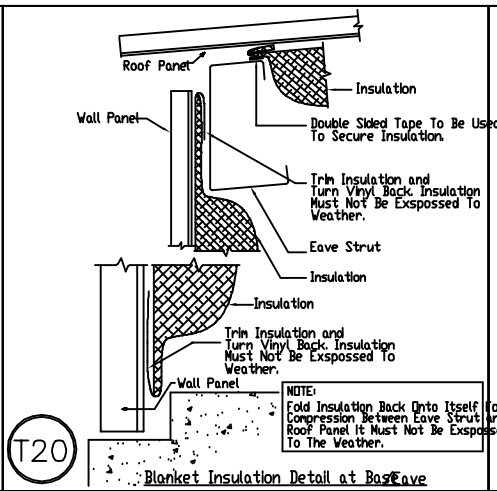
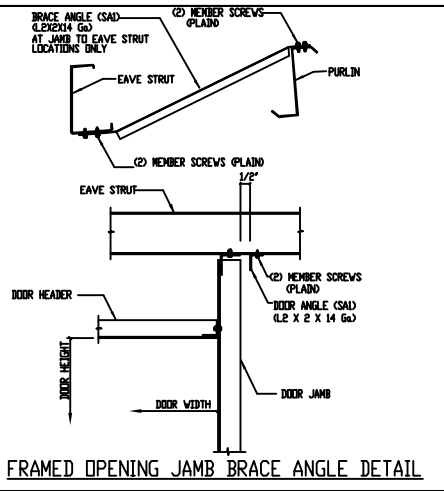
MEMBER TABLE	
CRANE PLAN	
MARK	PART
RB-1	W24X62/ C12X20.7
RB-2	W24X62/ C12X20.7
RB-3	W24X62/ C12X20.7

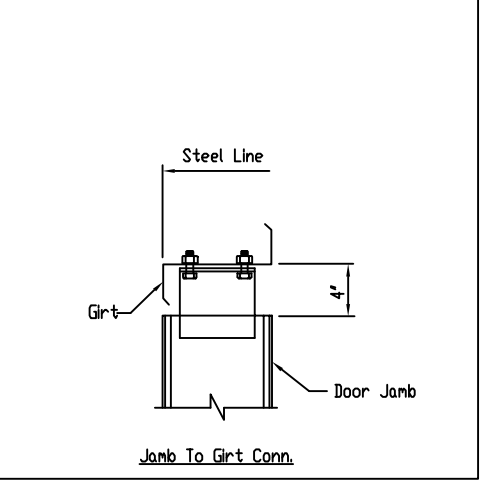
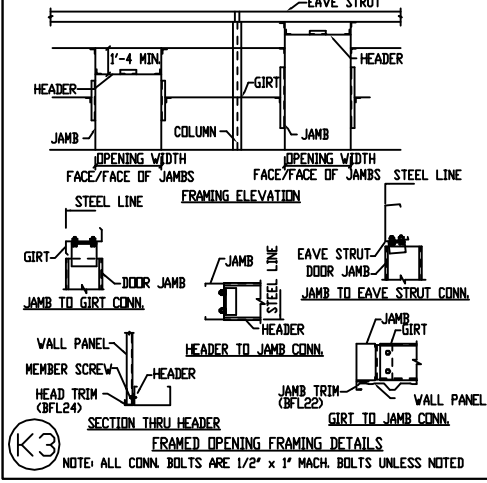
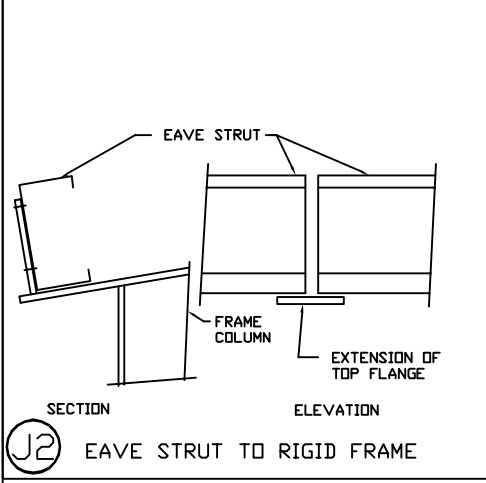
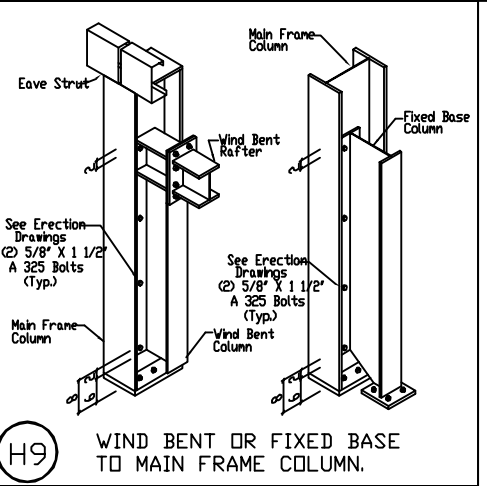
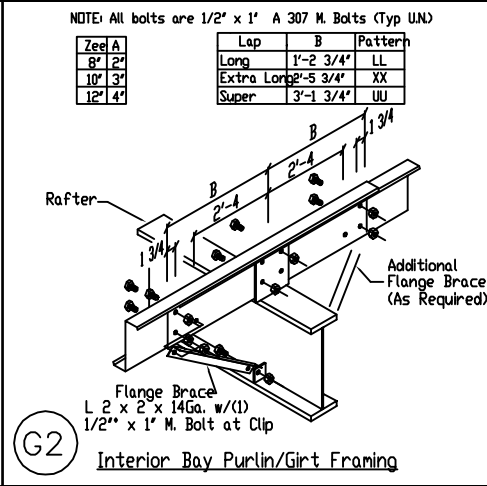
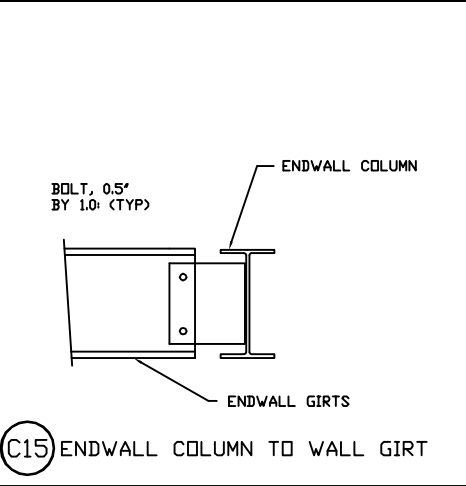
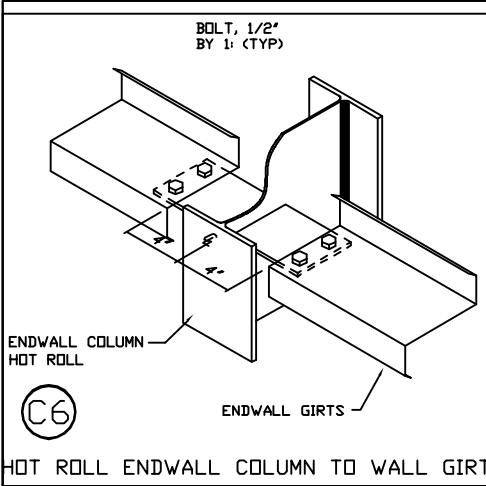
ROOF FRAMING PLAN

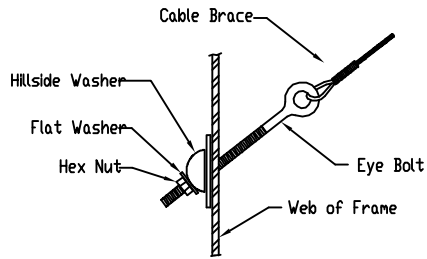


1-888-442-4140
 Ofc 210-888-1183
 Fax 210-888-1184
 19315 FM 2252
 San Antonio, TX 78266

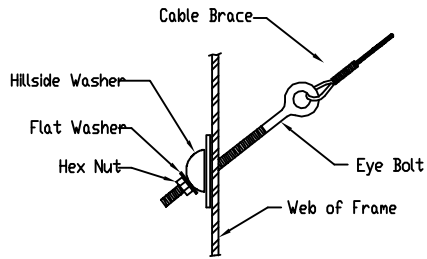
DESCRIPTION: CRANE FRAMING	
SIZE: 81'-0" x 150'-0" x 47'-0"	
CUSTOMER: SHADES OF IDAHO	PROJECT: 3 SEAS, LLC
LOCATION: BURLEY, ID 83318	
DRN BY	CHK'D BY
DATE: 6/28/12	SCALE: NONE
QUOTE NO.	JOB NO.: 12BL0648
SHEET NO.: E8	ISSUE: 0



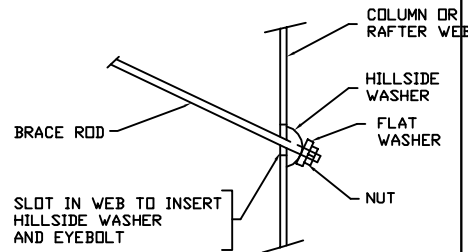




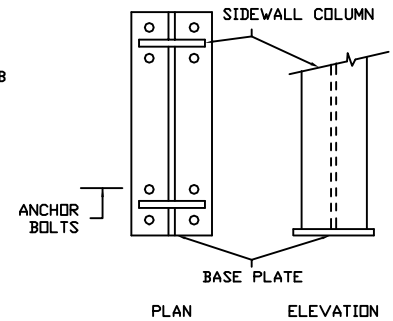
Q1 Cable Brace to Frame Connection



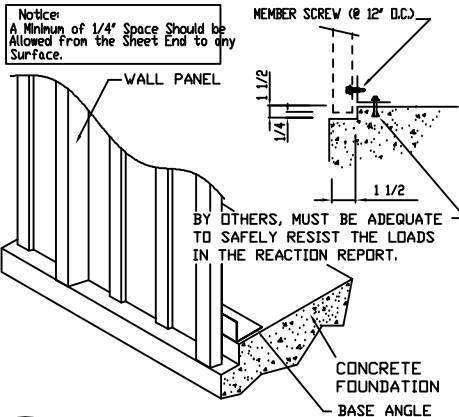
Q2 Cable Brace to Frame Connection



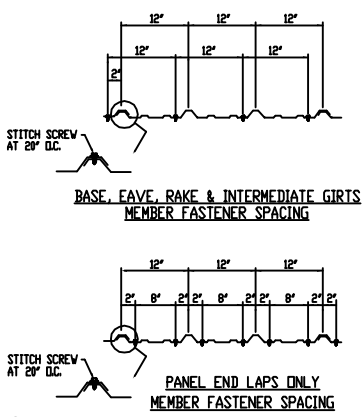
Q3 DIAGONAL BRACE ROD, NUT END



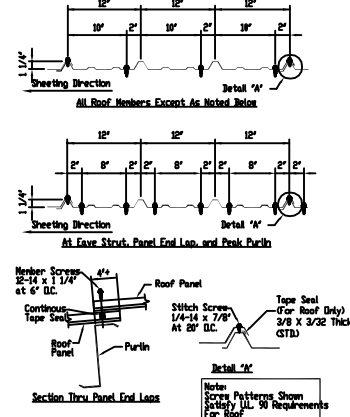
R10 ANCHOR BOLTS AT SIDEWALL COLUMN



T3 SECTION THRU WALL PANEL AND CONCRETE FOUNDATION



T1 FASTENER LOCATION "R" AND "PBR" PANEL AT WALL



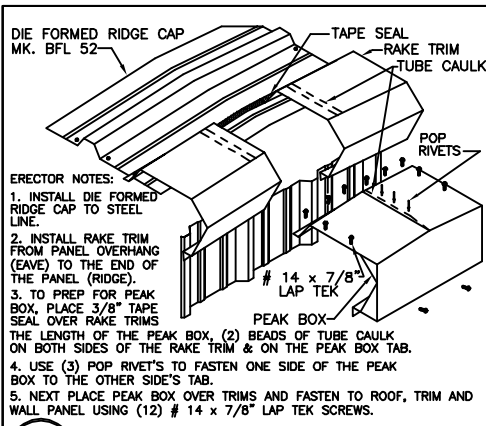
T28 RIDGE DETAIL ROOF W/ DIE FORMED RIDGE CAP



• Metal Buildings
• Mini-Warehouses

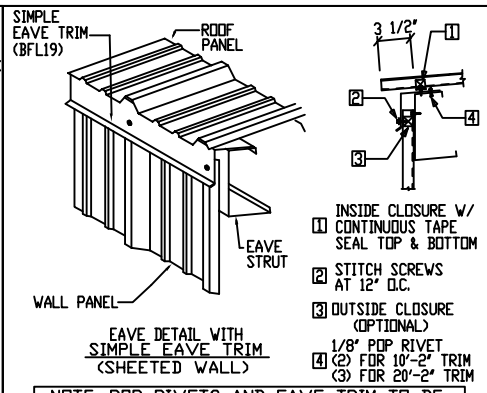
1-888-442-4140
Ofc 210-888-1183
Fax 210-888-1184
19315 FM 2252
San Antonio, TX 78266

DESCRIPTION: DETAIL DRAWINGS									
SIZE: 81'-0" x 150'-0" x 47'-0"									
CUSTOMER: SHADES OF IDAHO					PROJECT: 3 SEAS, LLC				
LOCATION: BURLEY, ID 83318									
DRN BY	CK'D BY	DATE	SCALE	QUOTE NO.	JOB NO.	SHEET NO.	ISSUE	CAD BY:	
		6/28/12	NONE		12BL0648	D		D	



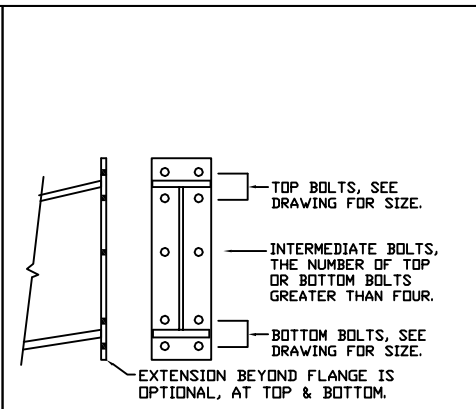
- ERECTOR NOTES:**
1. INSTALL DIE FORMED RIDGE CAP TO STEEL LINE.
 2. INSTALL RAKE TRIM FROM PANEL OVERHANG (EAVE) TO THE END OF THE PANEL (RIDGE).
 3. TO PREP FOR PEAK BOX, PLACE 3/8" TAPE SEAL OVER RAKE TRIMS
 4. USE (3) POP RIVETS TO FASTEN ONE SIDE OF THE PEAK BOX TO THE OTHER SIDE'S TAB.
 5. NEXT PLACE PEAK BOX OVER TRIMS AND FASTEN TO ROOF, TRIM AND WALL PANEL USING (12) # 14 x 7/8" LAP TEK SCREWS.

T29 PEAK BOX DETAIL

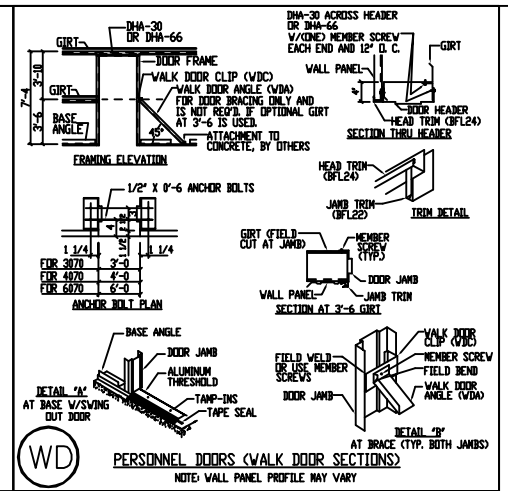


- NOTE:** POP RIVETS AND EAVE TRIM TO BE INSTALLED BEFORE ROOF INSULATION
* NOTE: TRIM PROFILE MAY VARY
1. INSIDE CLOSURE W/ CONTINUOUS TAPE SEAL TOP & BOTTOM
 2. STITCH SCREWS AT 12" O.C.
 3. OUTSIDE CLOSURE (OPTIONAL)
 4. 1/8" POP RIVET (2) FOR 10'-2" TRIM (3) FOR 20'-2" TRIM

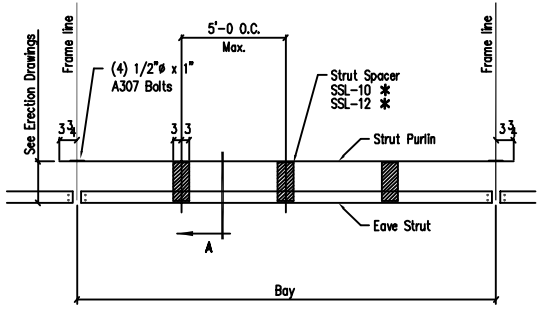
EAVE DETAILS WITH SHEETED SIDEWALL



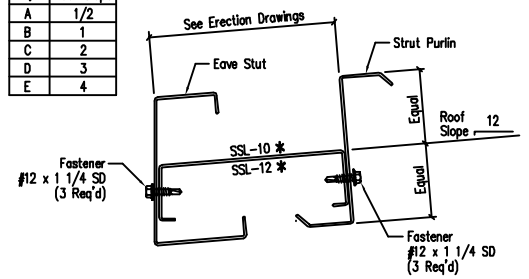
U2 BOLTED END PLATE CONNECTION AT BUILDING PEAK



WD PERSONNEL DOORS (WALK DOOR SECTIONS)
NOTE: WALL PANEL PROFILE MAY VARY



* Roof Slope
A 1/2
B 1
C 2
D 3
E 4

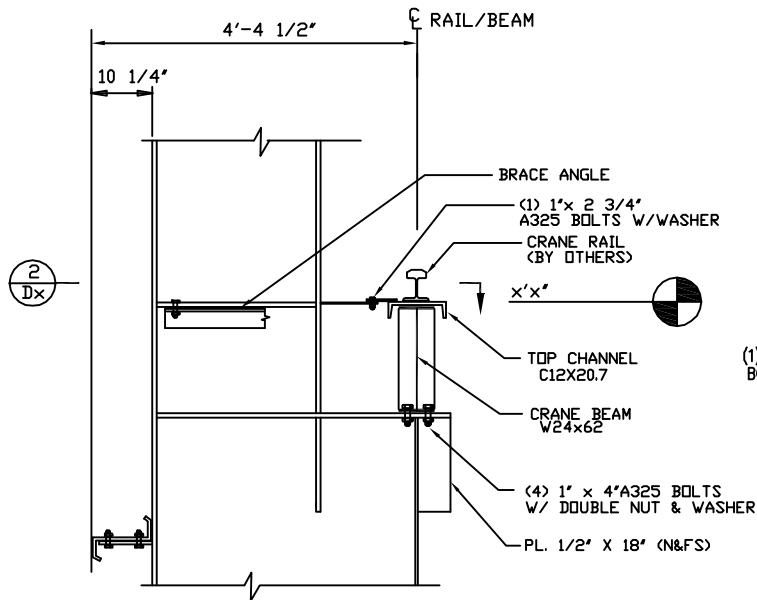


Section A
Strut Purlin
(Low Eave)

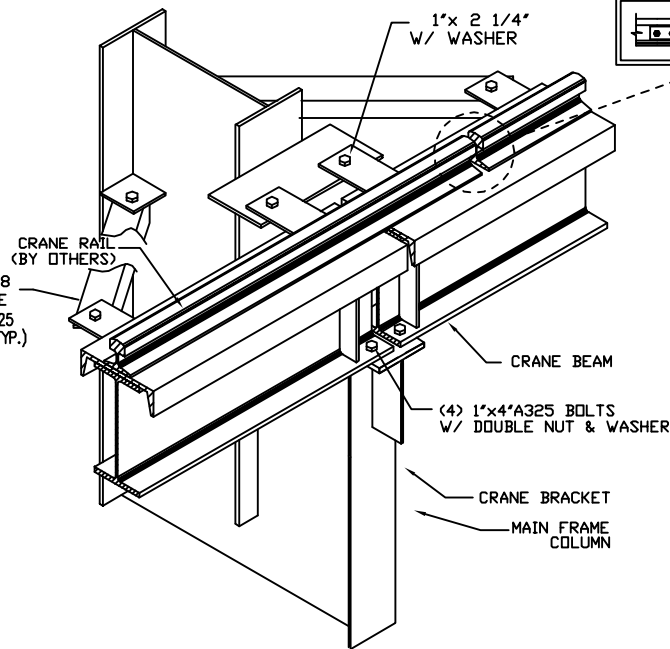


1-888-442-4140
 Ofc 210-888-1183
 Fax 210-888-1184
 19315 FM 2252
 San Antonio, TX 78266

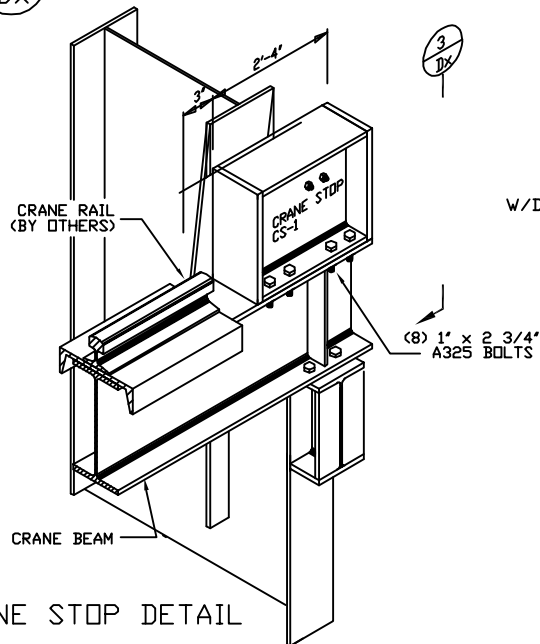
DESCRIPTION: DETAIL DRAWINGS									
SIZE:		81'-0" x 150'-0" x 47'-0"							
CUSTOMER: SHADES OF IDAHO					PROJECT: 3 SEAS, LLC				
LOCATION: BURLEY, ID 83318									
DRN BY	CK'D BY	DATE	SCALE	QUOTE NO.	JOB NO.	SHEET NO.	ISSUE		
		6/28/12	NONE		12BL0648	D			



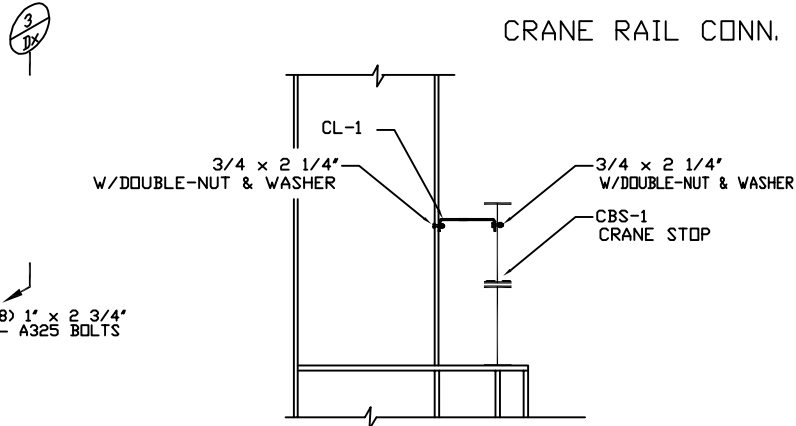
1
Dx CRANE BEAM CONN. AT MAIN COLUMN



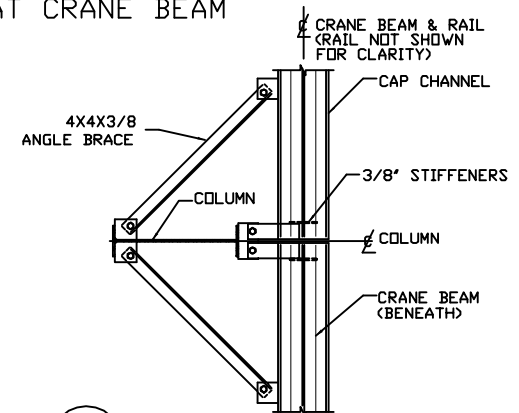
CRANE RAIL CONN. AT CRANE BEAM



CRANE STOP DETAIL



3
Dx SECTION @ FRAME LINES



2
Dx SECTION @ BRACE ANGLE



• Metal Buildings
• Mini-Warehouses

1-888-442-4140
Ofc 210-888-1183
Fax 210-888-1184
19315 FM 2252
San Antonio, TX 78266

DESCRIPTION: DETAIL DRAWINGS									
SIZE: 81'-0" x 150'-0" x 47'-0"									
CUSTOMER: SHADES OF IDAHO					PROJECT: 3 SEAS, L.L.C.				
LOCATION: BURLY, IDAHO 83318									
DRN BY	CK'D BY	DATE	SCALE	QUOTE NO.	JOB NO.	SHEET NO.	ISSUE		
		6/30/12	NONE		12BL0648	D5	A		